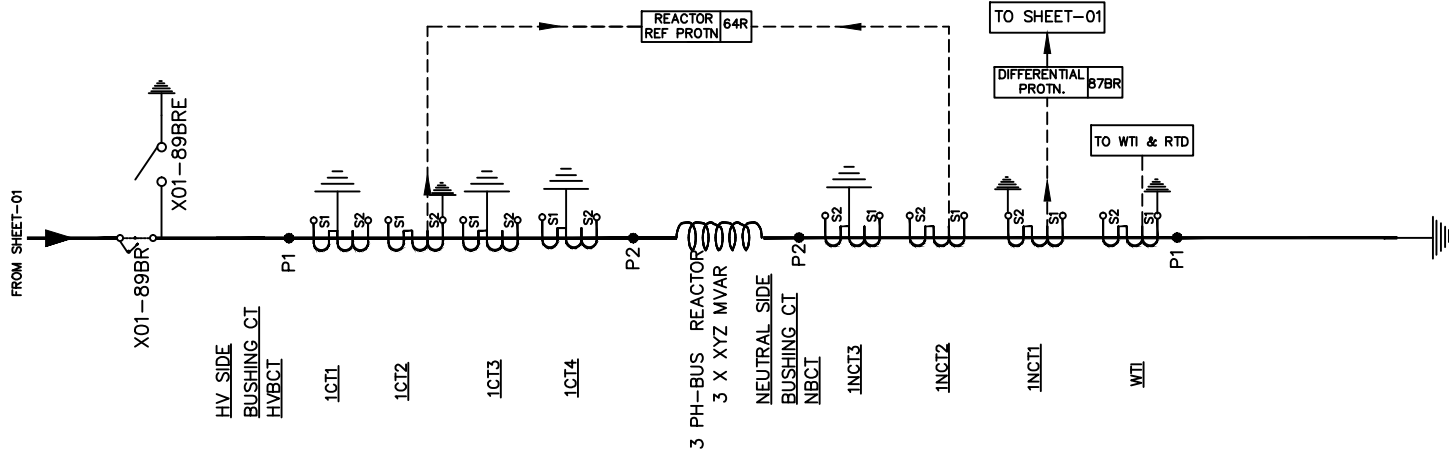


BUS REACTOR



NOTE: **AS PER PROJECT REQUIREMENT



CT & VT CONNECTION DIAGRAM- BUS REACTOR - 3 PHASE - ONE AND HALF

Date: 08/01/2024

Doc Rev No: 00

Page: 02 Sheet of 02